

1

2

3

4

5

6

Ra6.3

A

A

B

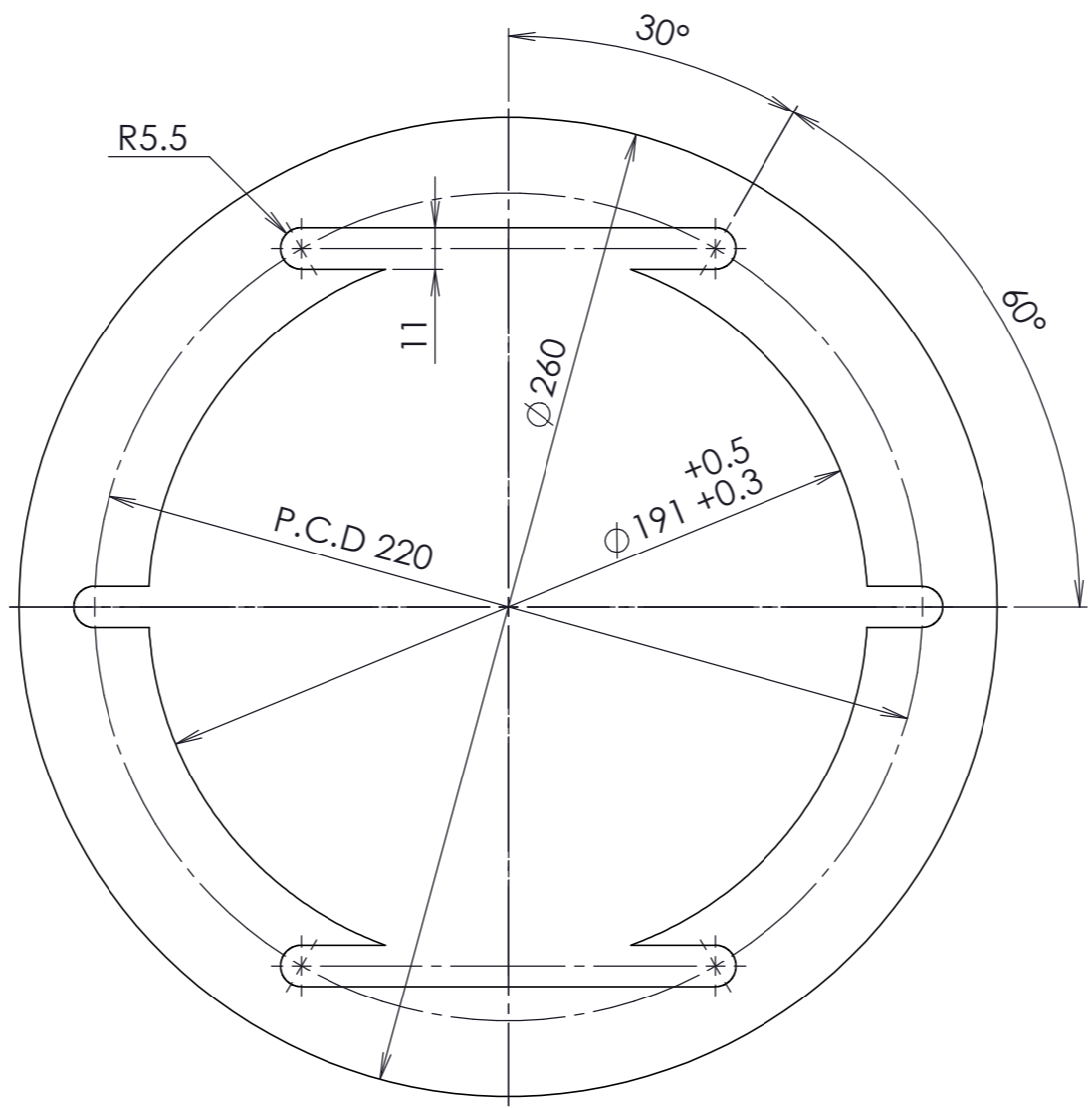
B

C


C

D

D



2.指示なき寸法公差: JIS中級(m)  
 1. T=1.0 レーザー加工

|  |     | DESCRIPTION       |         |          |
|--|-----|-------------------|---------|----------|
| MATERIAL   |     | SURFACE TREATMENT |         | Q'TY     |
| SUS304(H)  |     |                   |         | .        |
| SHEET  | 1:2 | DESIGNED          | CHECKED | APPROVED |
| <br>3 ANGLE |     |                   |         |          |

1

2

3

4

5

6