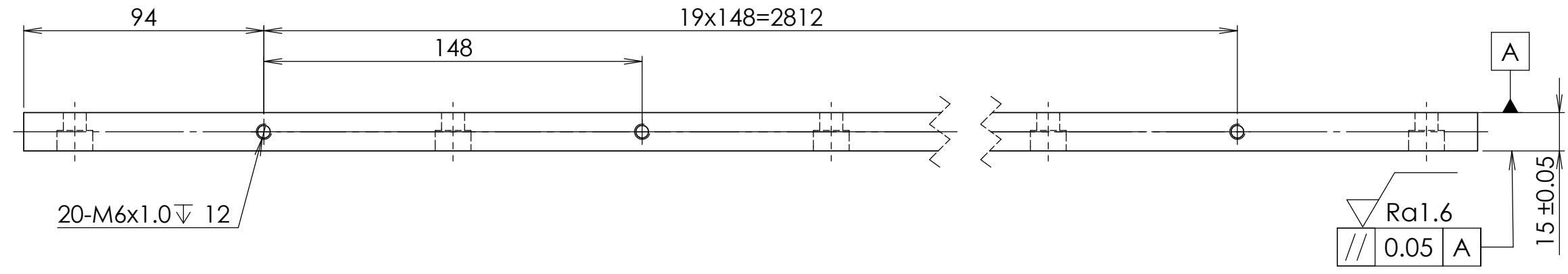


1 2 3 4 5 6

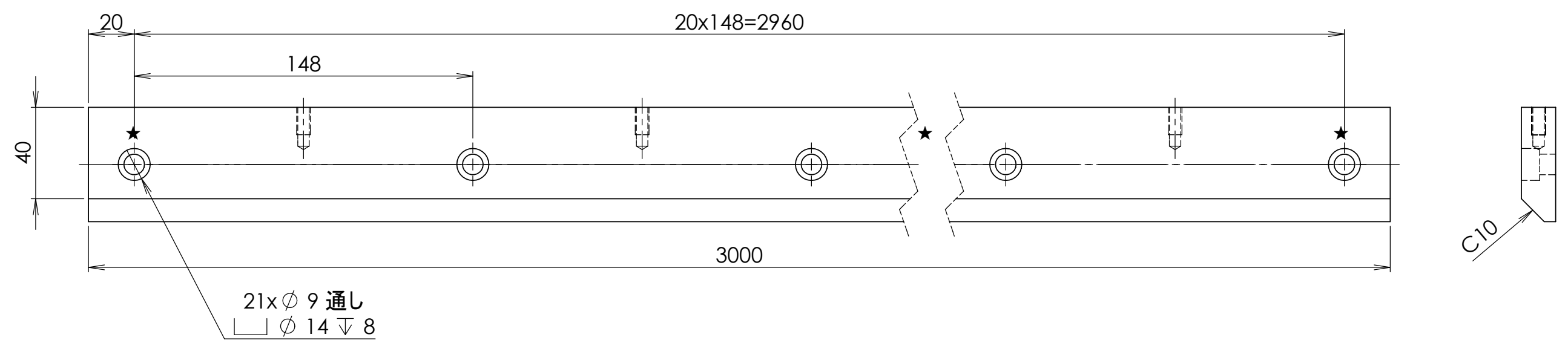
A

A



B

B



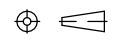
C

C

★3か所を測定のこと
検査記録添付のこと

D

D

		DESCRIPTION		
MATERIAL	SURFACE TREATMENT	HEAT TREATMENT	Q'TY	
SS400				
SHEET	1:2	DESIGNED	CHECKED	APPROVED
	 3 ANGLE			

1 2 3 4 5 6